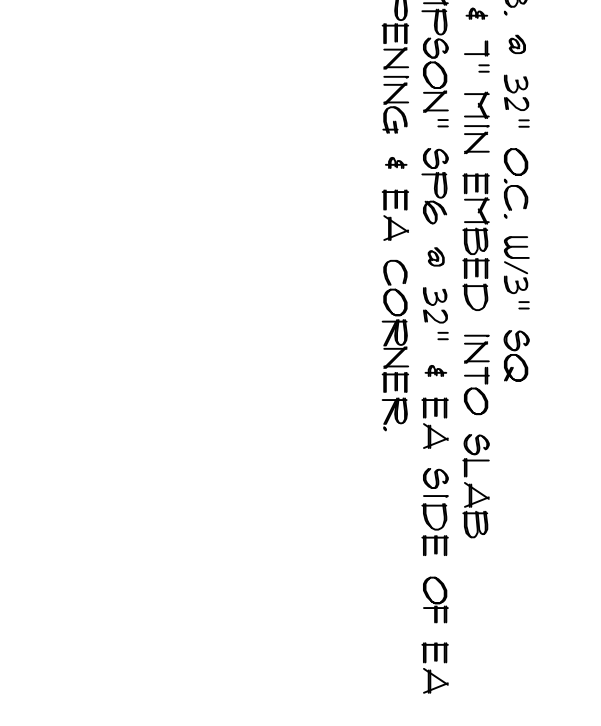
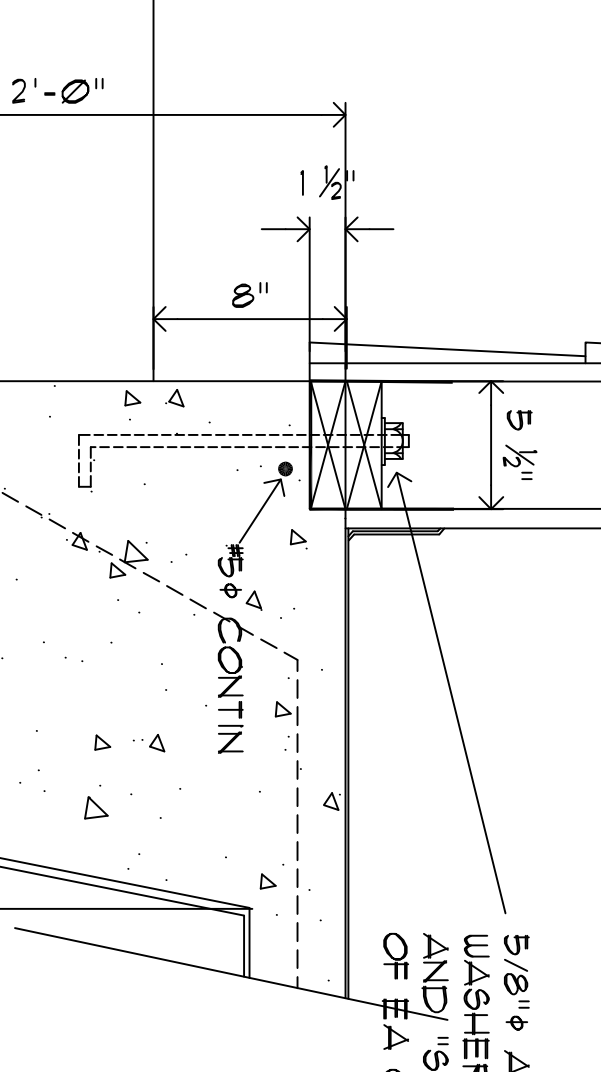
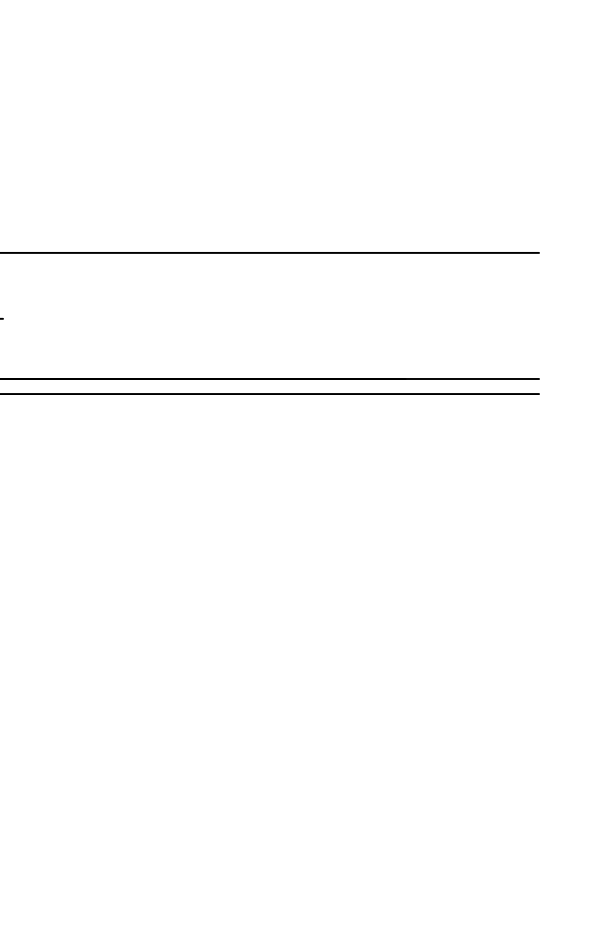
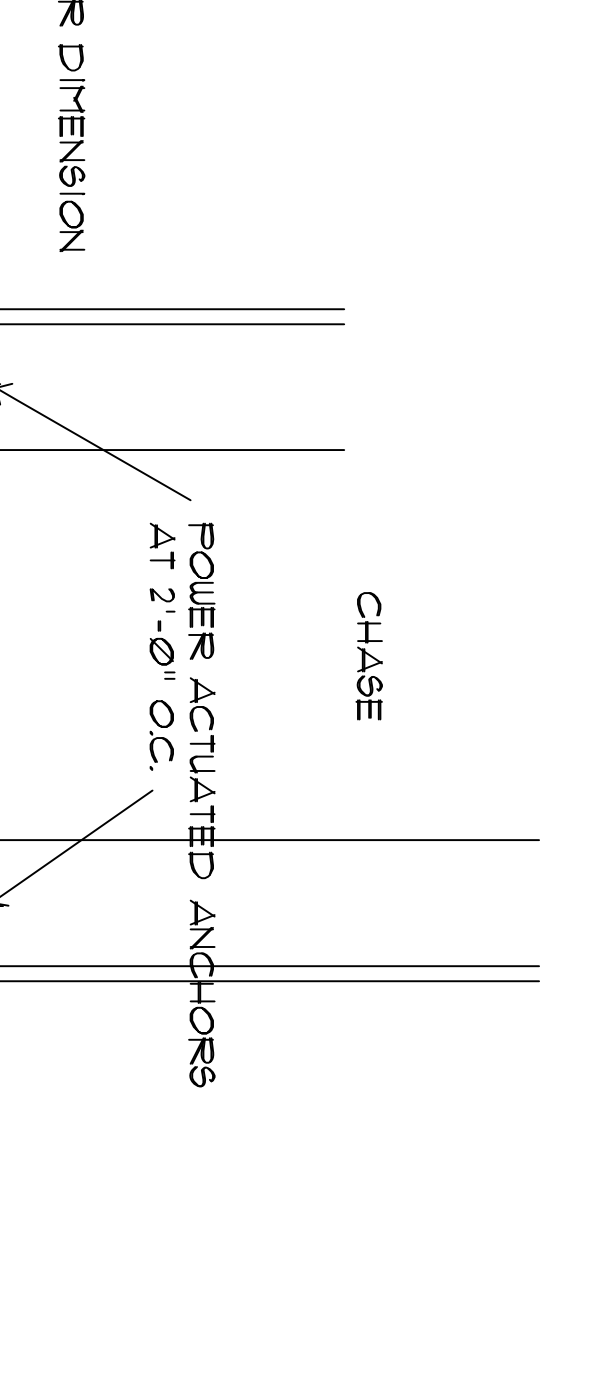
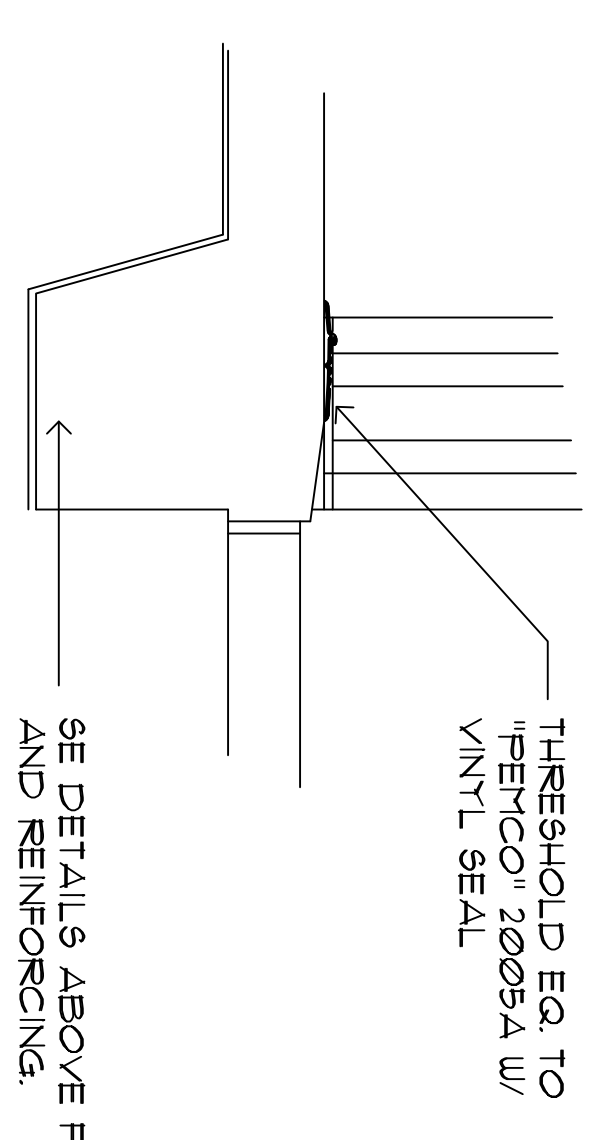


NOTE: Contractor to ensure that an anchor bolt or strap is installed at each side of all window and door openings 5/8" AB, @ 32" O.C. w/3" SQ WASHER & 1" MIN EMBED INTO SLAB AND "SIMPSON" SF6 @ 32" & EA SIDE OF EA OF EA OPENING & EA CORNER

**A** TYPICAL CROSS SECTION  
A-2.1 SC 3/4" 1'-0"

**B** SECTION  
A-2.1 SC 3/4" 1'-0"



**C** SECTION  
A-2.1 SC 3/4" 1'-0"

**D** SECTION  
A-2.1 SC 3/4" 1'-0"

**E** SECTION  
A-2.1 SC 3/4" 1'-0"

**F** SECTION  
A-2.1 SC 3/4" 1'-0"

PROJECT: **MAGNOLIA ACRES**  
TITLE: **TYPICAL BUILDING SECTION AND MISC DETAILS**

MARVIN H. ALLEN  
ARCHITECT & PLANNER  
145 LURINE LANE  
TALLAHASSEE, FL 32309

NOT VALID UNLESS  
CRIMPED

DATE:	
DESIGN BY:	MHA
DRAWN BY:	MHA
REVISED:	
JOB NUMBER:	
MARVIN H. ALLEN FL REGISTERED ARCHITECT AR0005796	
SHEET NUMBER	A2.1