

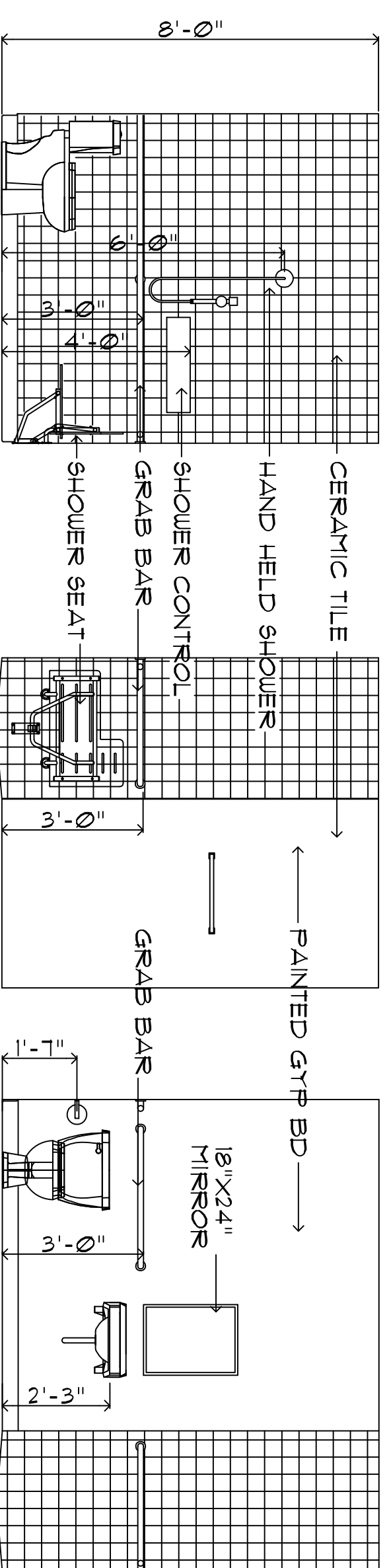
ROOM	FLOOR	BASE	WALL/CEILING	REMARKS
LIVING BR/KITCHEN	VINYL TILE	RUBBER	5/8" FIRE CODE GYPS BD	
DRESSING RM	VINYL TILE	RUBBER	5/8" FIRE CODE GYPS BD	
SHOWER/TOILET	CERAMIC TILE	CER TILE	CERAMIC TILE FULL HGT	CERAMIC TILE FULL SHOWER ONLY

DOOR SCHEDULE

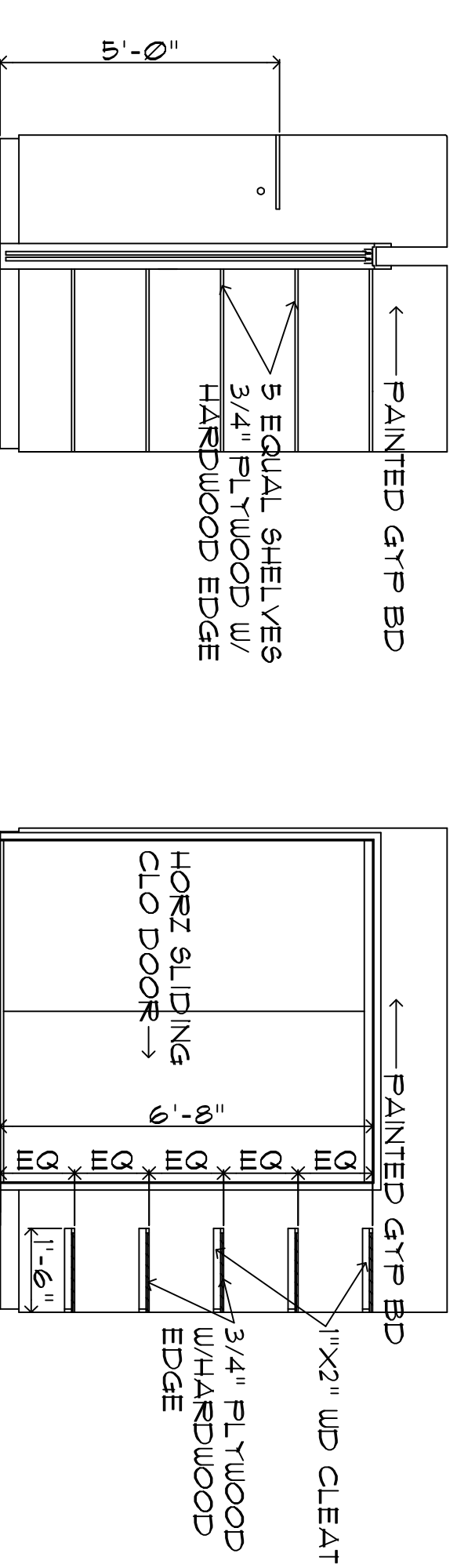
MARK	SIZE	DESCRIPTION	REMARKS
1	1 3/4"X3'-0"X6'-8"	SOLID CORE W/1/2 GLASS	LOCK SET SHALL HAVE LEVER HANDLE
2	1 3/4"X3'-0"X6'-8"	SOLID CORE FLUSH, PAINT GRADE	LOCK SET SHALL HAVE LEVER HANDLE
3	1 3/4"X3'-0"X6'-8"	SOLID CORE FLUSH, PAINT GRADE	LOCK SET SHALL HAVE LEVER HANDLE

WINDOW SCHEDULE

MARK	SIZE	DESCRIPTION	REMARKS
A	1 3/4"X6'-4"X3'-4"	1" INSULATED GL	EQUAL TO GENERAL ALUMINUM WINDOWS



TYPICAL INTERIOR TOILET/SHOWER ROOM
SC 3/8" = 1'-0"

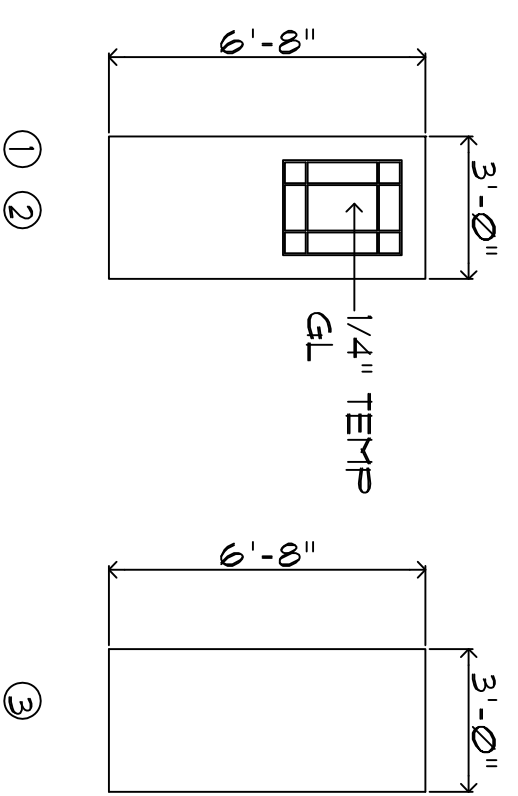


TYPICAL DRESSING AREA
SC 3/8" = 1'-0"

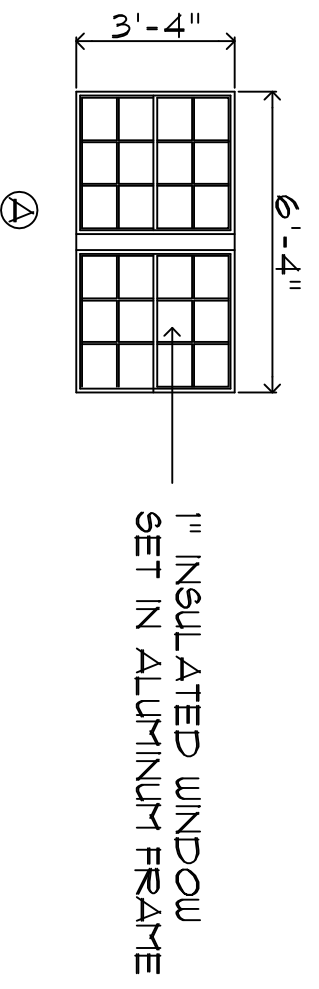
TOILET RM ACCESSORY

MARK	DESCRIPTION	MOUNT HT.	MATERIAL	TYPE/MODEL NO.	REMARKS
A	MIRROR	48" TO BOTTOM (ADA REQUIRED)	1/8" PLATE GL. W/STAINLESS STEEL ONE PIECE ROLL FORMED FRAME	B-230 SPECIAL SIZE	INSTALL AS PER MANUFACTURER RECOMMENDATIONS CONCEALED WALL HANGER B-TIE SILVER BRUSHED GUARANTEE
B	WALL MOUNTED SOAP DISPENSER	-	ANTIBACTERIAL SOAP DISPENSER W/FACTORIAL CONTACTLESS 18 GA.	B-50900	INSTALL AS PER PER RECOMMENDATIONS
C	REGISTERED DOUBLE ROLL TOILET PAPER DISPENSER	18" FIN TO C/L	STAINLESS STEEL, SATIN FINISH	B-4388	INSTALL AS PER PER RECOMMENDATIONS
D	CONCEALED TYPE A GRAB BAR 36" X 34" (1/2" HOLEZ)	33" TO TOP	3/8" SATIN FINISH 18 GA. W/ 3/16" FLANGE 1/2" DEEP 11 GA. W/ CONCEALED ANCHOR PLATE	B-6806 X 36	INSTALL AS PER MANUFACTURER RECOMMENDATIONS
E	CONCEALED TYPE A GRAB BAR 42" X 34" (1/2" HOLEZ)	33" TO TOP	3/8" SATIN FINISH 18 GA. W/ 3/16" FLANGE 1/2" DEEP 11 GA. W/ CONCEALED ANCHOR PLATE	B-6806 X 42	INSTALL AS PER MANUFACTURER RECOMMENDATIONS
F	CONCEALED TYPE A GRAB BAR 36" X 34" (1/2" HOLEZ)	33" TO TOP	3/8" SATIN FINISH 18 GA. W/ 3/16" FLANGE 1/2" DEEP 11 GA. W/ CONCEALED ANCHOR PLATE	B-6831 X 36 X 34	INSTALL AS PER MANUFACTURER RECOMMENDATIONS
G	HAND HELD PERSONAL SHOWER EQUAL TO AMERICAN STANDARD	11" TO TOP	CHROME UNIFLIT FINISH 84PPF. Y AND HANGER	1642200 HAND SHOWER HT ON 25" SLIDE BAR 1640275	INSTALL AS PER MANUFACTURER RECOMMENDATIONS

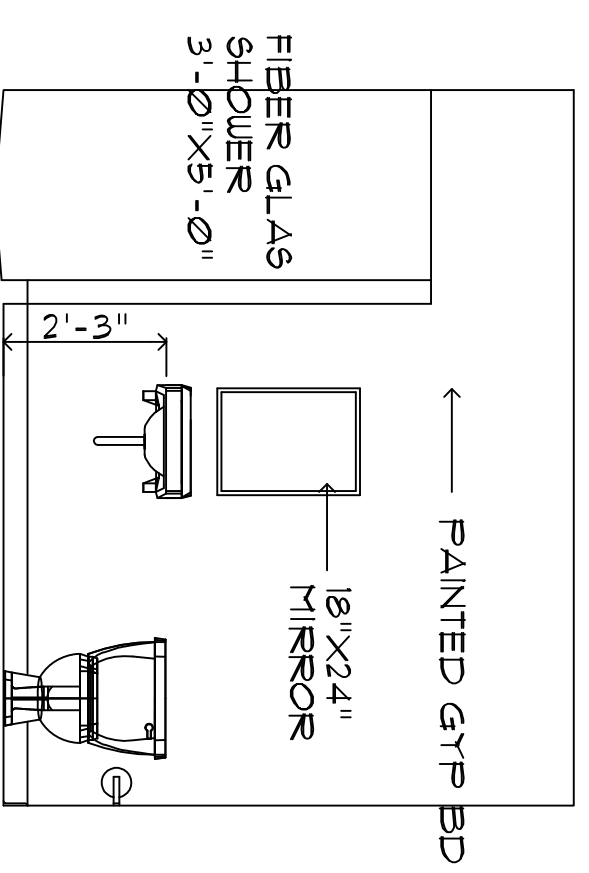
NOTE: BOBRICK WASHROOM ACCESSORIES (131) 424-1000 HAVE BEEN USED TO INDICATE TYPE, MATERIAL AND QUALITY OF ACCESSORY UNLESS OTHERWISE NOTED. OTHER MANUFACTURERS ARE ACCEPTABLE IF THE PRODUCT IS EQUAL.



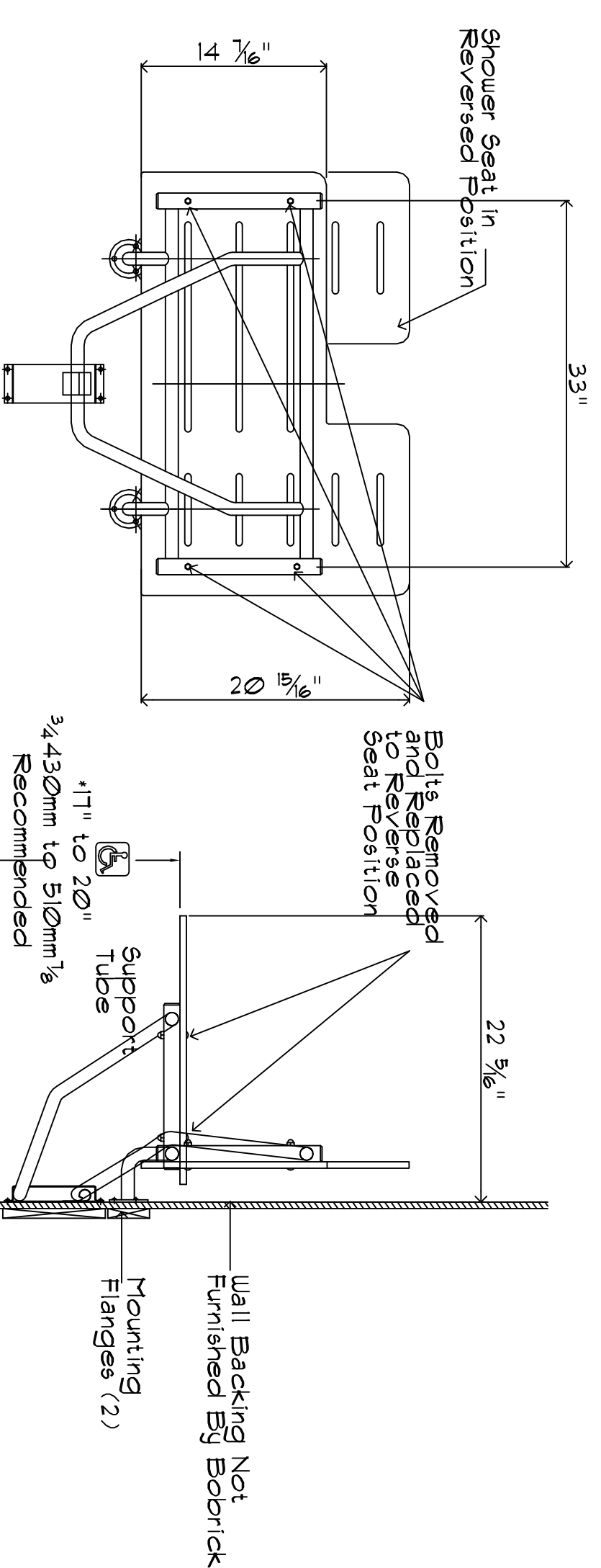
DOOR TYPES



WINDOW TYPE



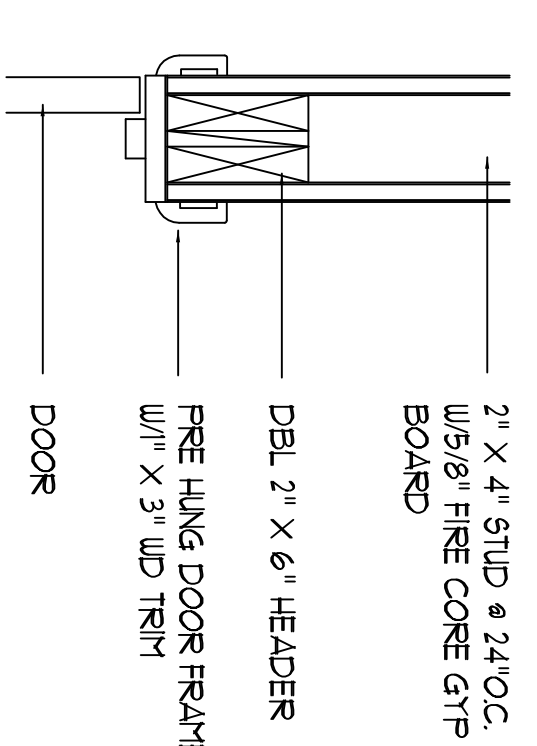
TYPICAL TOILET/SHOWER ROOM
SC 3/8" = 1'-0"



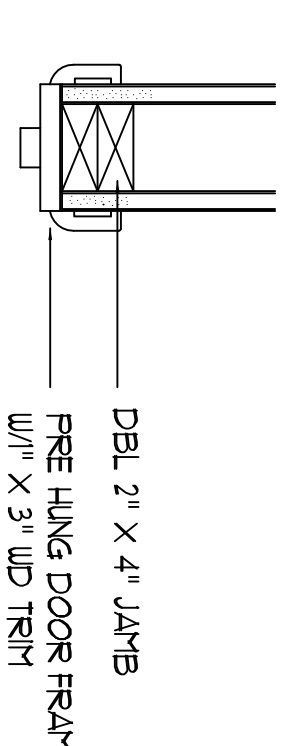
REVERSIBLE SOLID PHENOLIC FOLDING SHOWER SEAT

B-5181.DWG

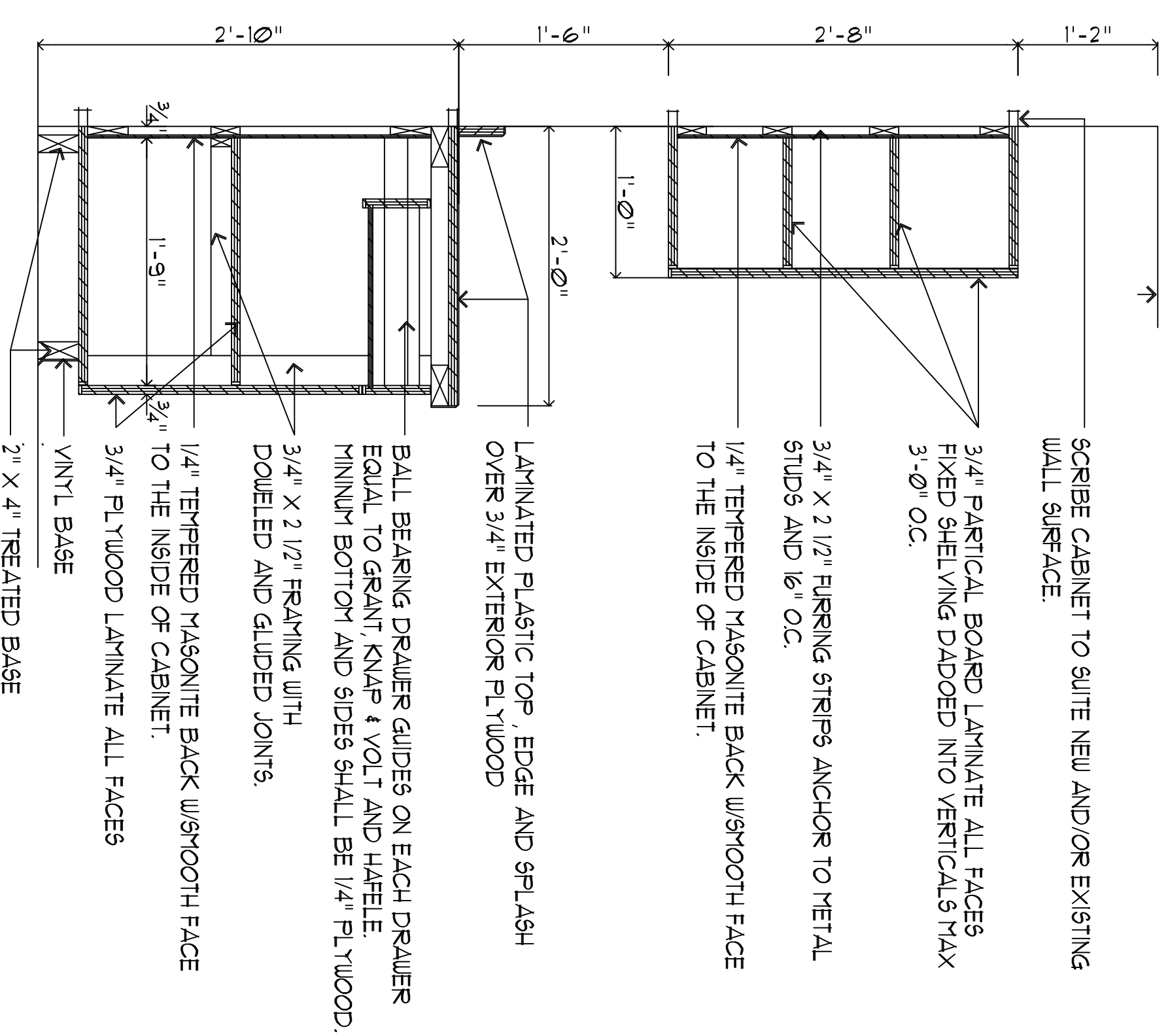
GENERAL NOTE:
INSTALL ONLY (3) THREE SHOWER SEATS AS DIRECTED BY OWNER. ALL OTHER SPACES SHALL BE BLOCKED TO RECEIVE SEATS AS NEEDED.



1 HEAD
SCALE 1-1/2" = 1'-0"



2 JAMB
SCALE 1-1/2" = 1'-0"



A TYPICAL KITCHEN CABINET SECTION
SCALE 1" = 1'-0"